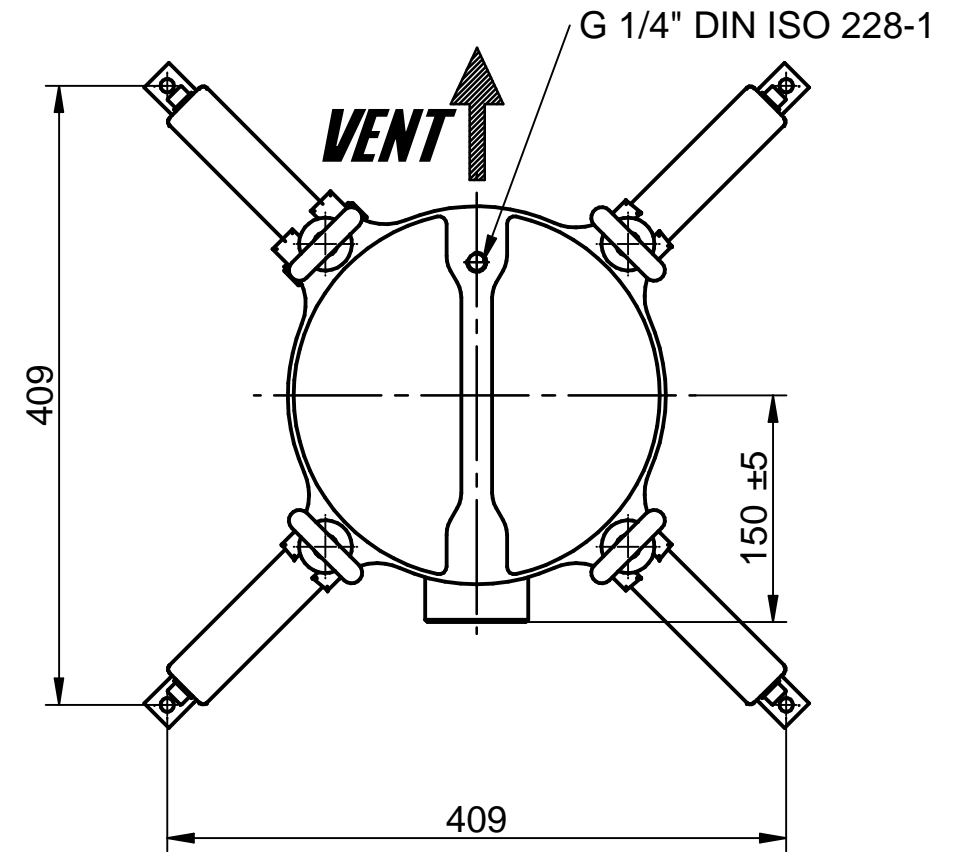
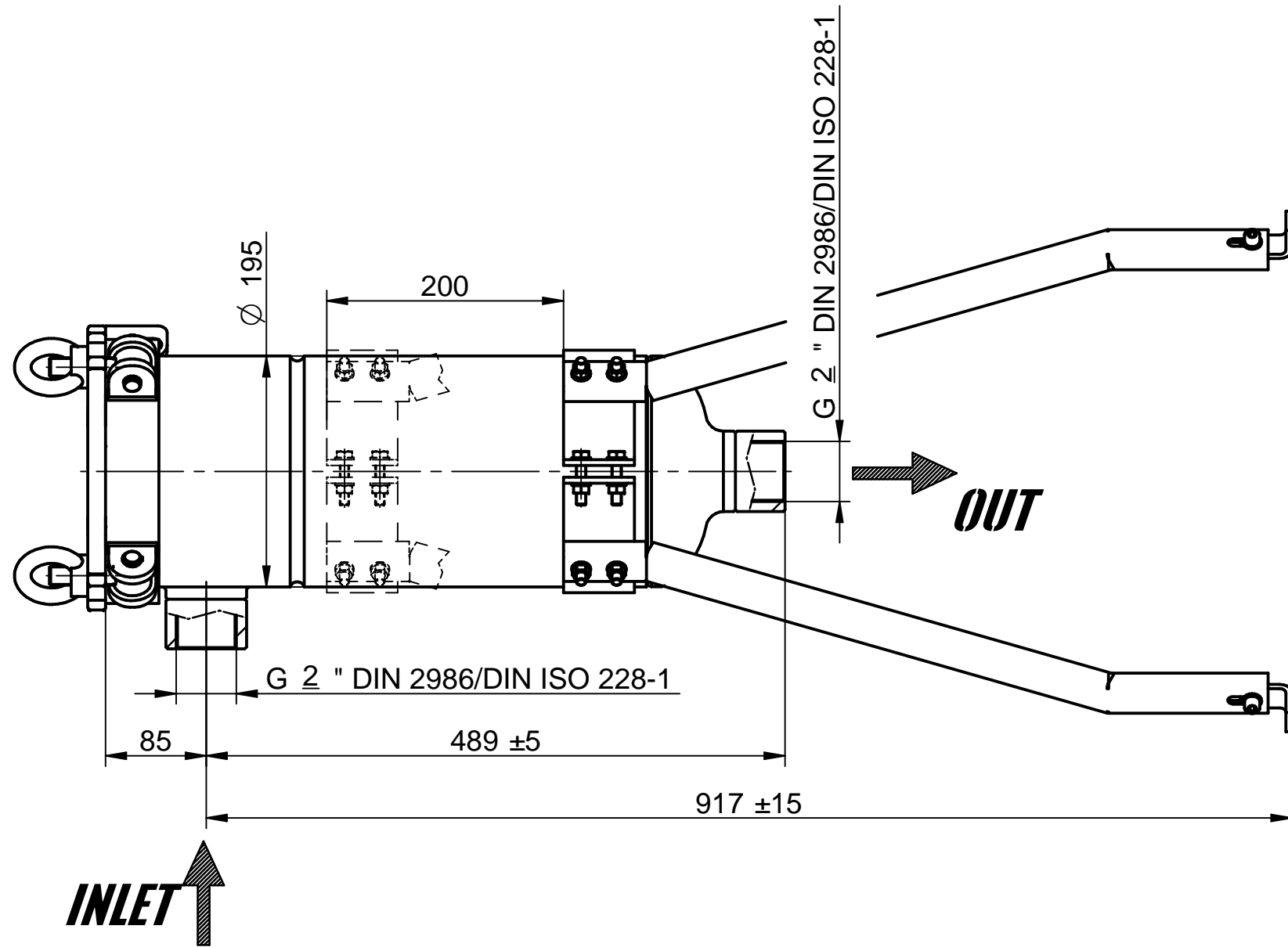



FILTRO FBF-1 1x17"

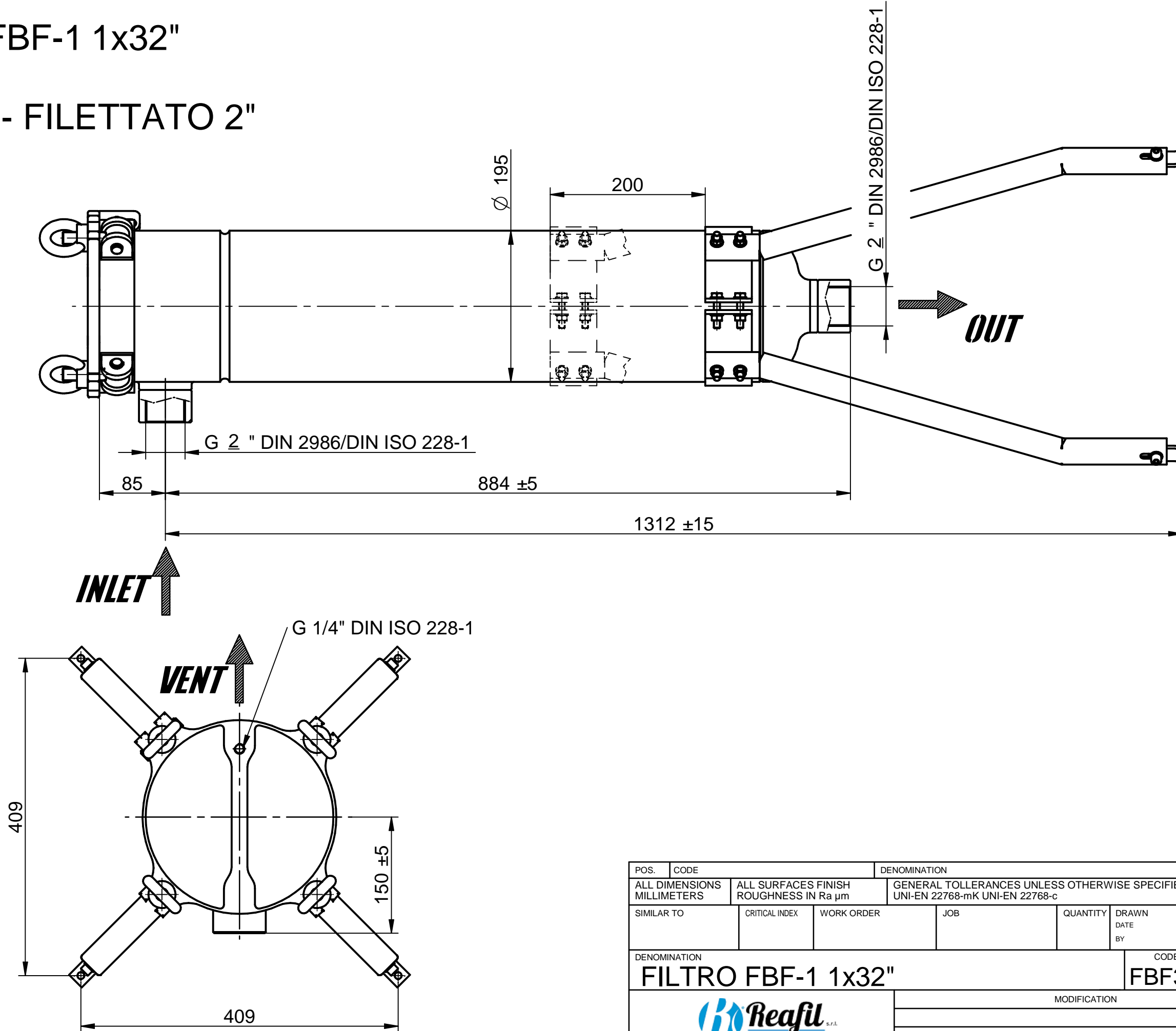
IN / OUT - FILETTATO 2"



| | | | | | | | | | |
|---|---|---|-----|----------|---------------|---|-----------|------|----|
| POS. | CODE | DENOMINATION | | | | QUANTITY | MATERIALS | | |
| ALL DIMENSIONS MILLIMETERS | ALL SURFACES FINISH ROUGHNESS IN Ra μm | GENERAL TOLLERANCES UNLESS OTHERWISE SPECIFIED UNI-EN 22768-mK UNI-EN 22768-c | | | | NOT QUOTED FILLET R=0.3 CHAMFER 0.3x45° | | | |
| SIMILAR TO | CRITICAL INDEX | WORK ORDER | JOB | QUANTITY | DRAWN DATE BY | APPROVED DATE - BY - | | | |
| DENOMINATION FILTRO FBF-1 1x17" | | | | | | CODE FBF316070117_I | REV. | | |
|  | | | | | | MODIFICATION | | DATE | BY |
| | | | | | | REPRODUCTION IS PROHIBITED - ALL RIGHTS RESERVED ACCORDING TO THE LAW | | | |

FILTRO FBF-1 1x32"

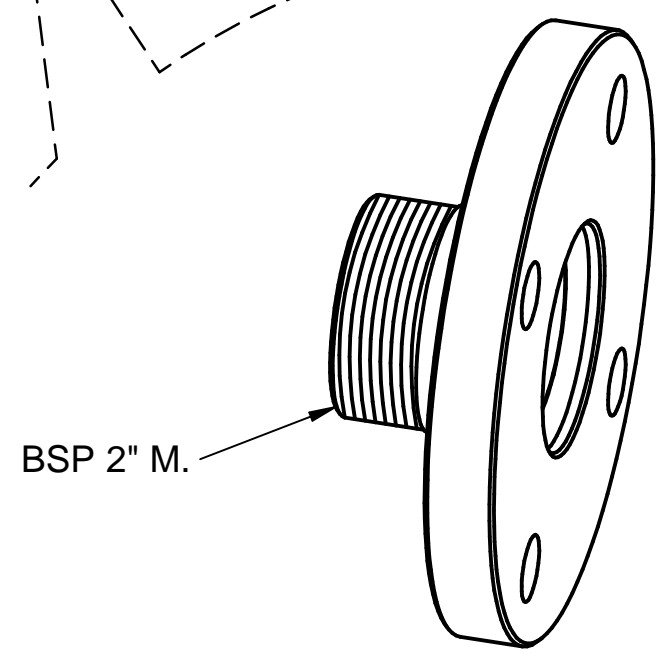
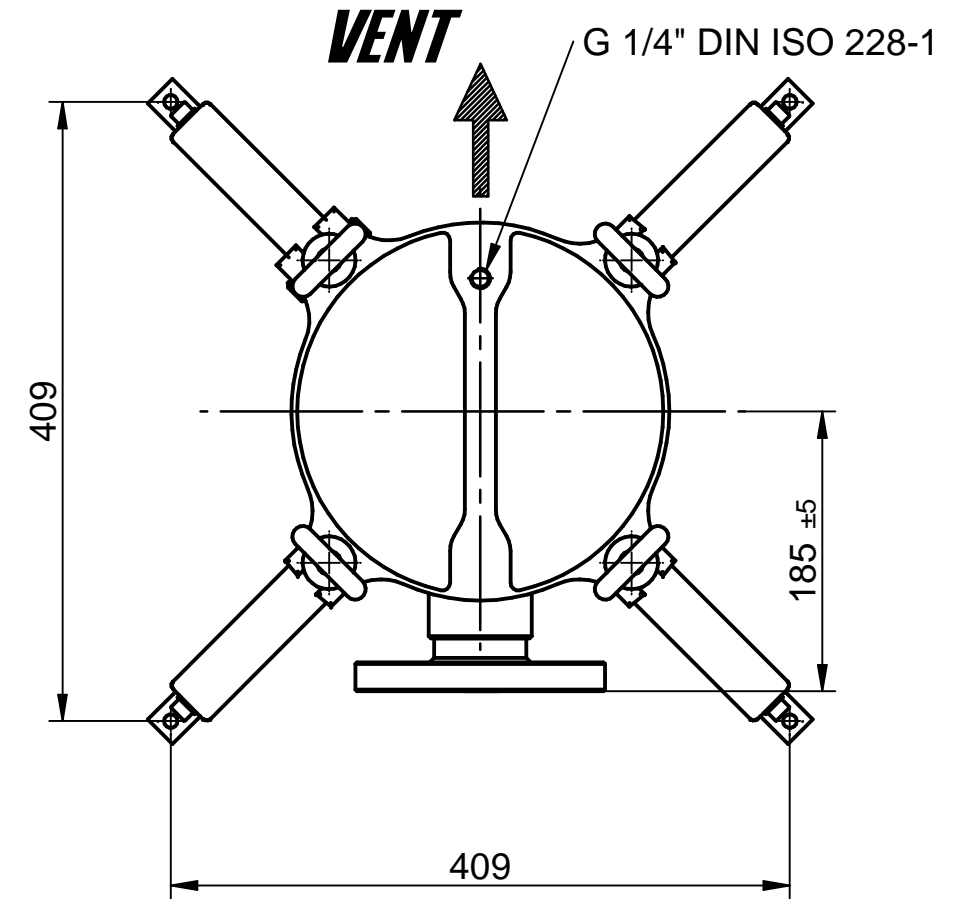
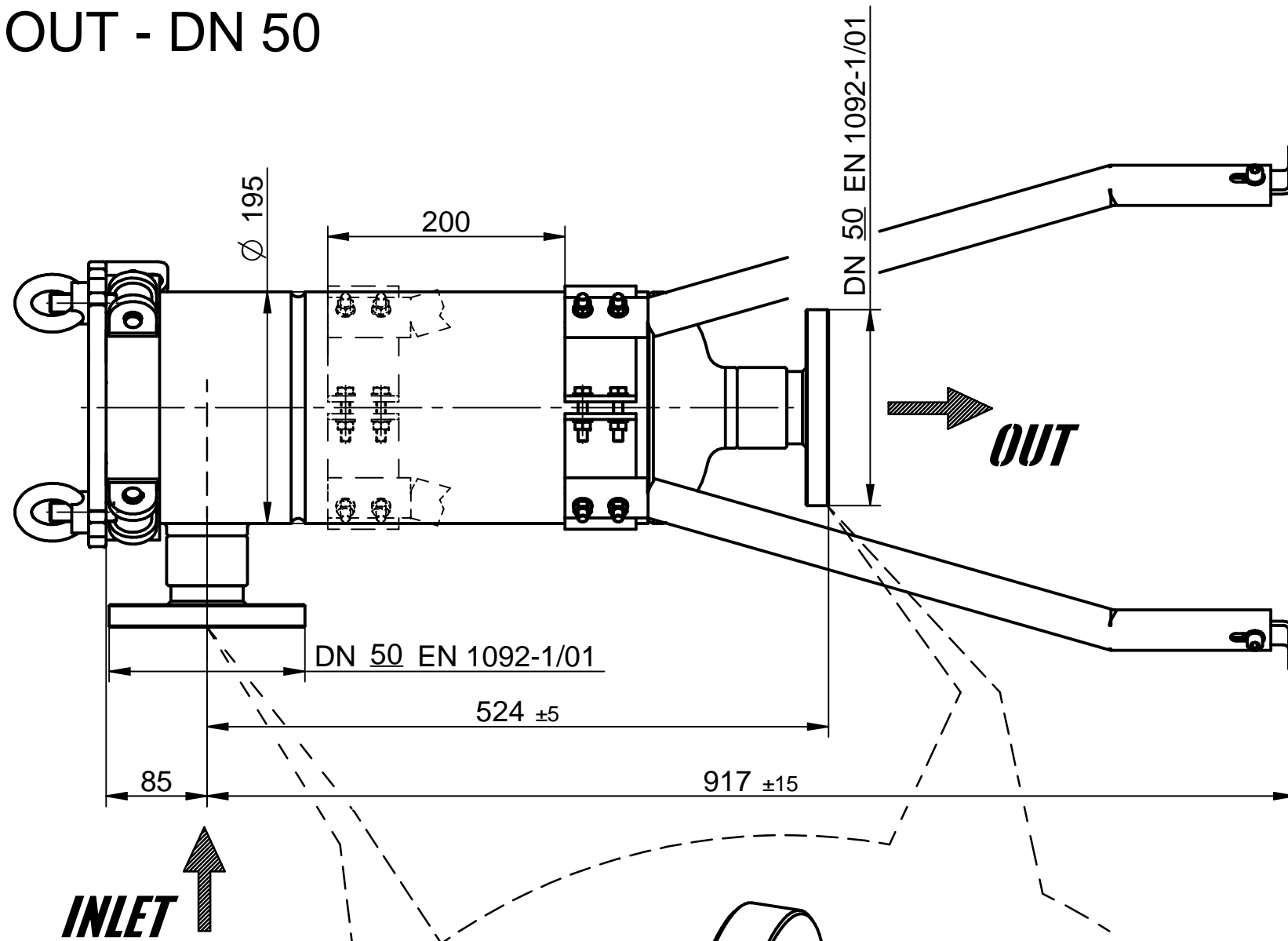
IN / OUT - FILETTATO 2"



| | | | | | | | |
|---|---|---|-----|----------|---|----------------------|-----------|
| POS. | CODE | DENOMINATION | | | | QUANTITY | MATERIALS |
| ALL DIMENSIONS MILLIMETERS | ALL SURFACES FINISH ROUGHNESS IN Ra μ m | GENERAL TOLLERANCES UNLESS OTHERWISE SPECIFIED UNI-EN 22768-mK UNI-EN 22768-c | | | NOT QUOTED FILLET R=0.3 CHAMFER 0.3x45° | | |
| SIMILAR TO | CRITICAL INDEX | WORK ORDER | JOB | QUANTITY | DRAWN DATE BY | APPROVED DATE - BY - | |
| DENOMINATION | | | | | CODE | | REV. |
| FILTRO FBF-1 1x32" | | | | | FBF316070132_I | | |
| | | | | | MODIFICATION | | DATE |
| | | | | | | | BY |
| REPRODUCTION IS PROHIBITED - ALL RIGHTS RESERVED ACCORDING TO THE LAW | | | | | SCALE | PROJECTION | |
| | | | | | 1:10 | | |

FILTRO FBF-1 1x17"

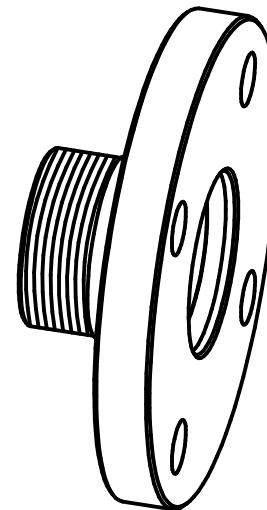
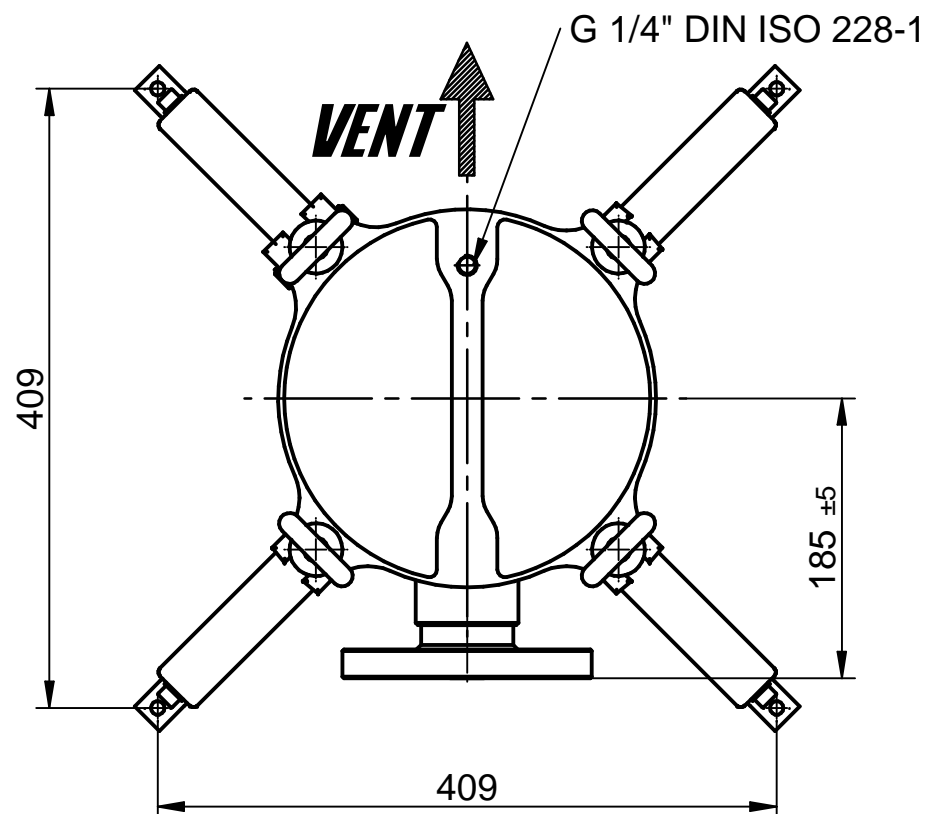
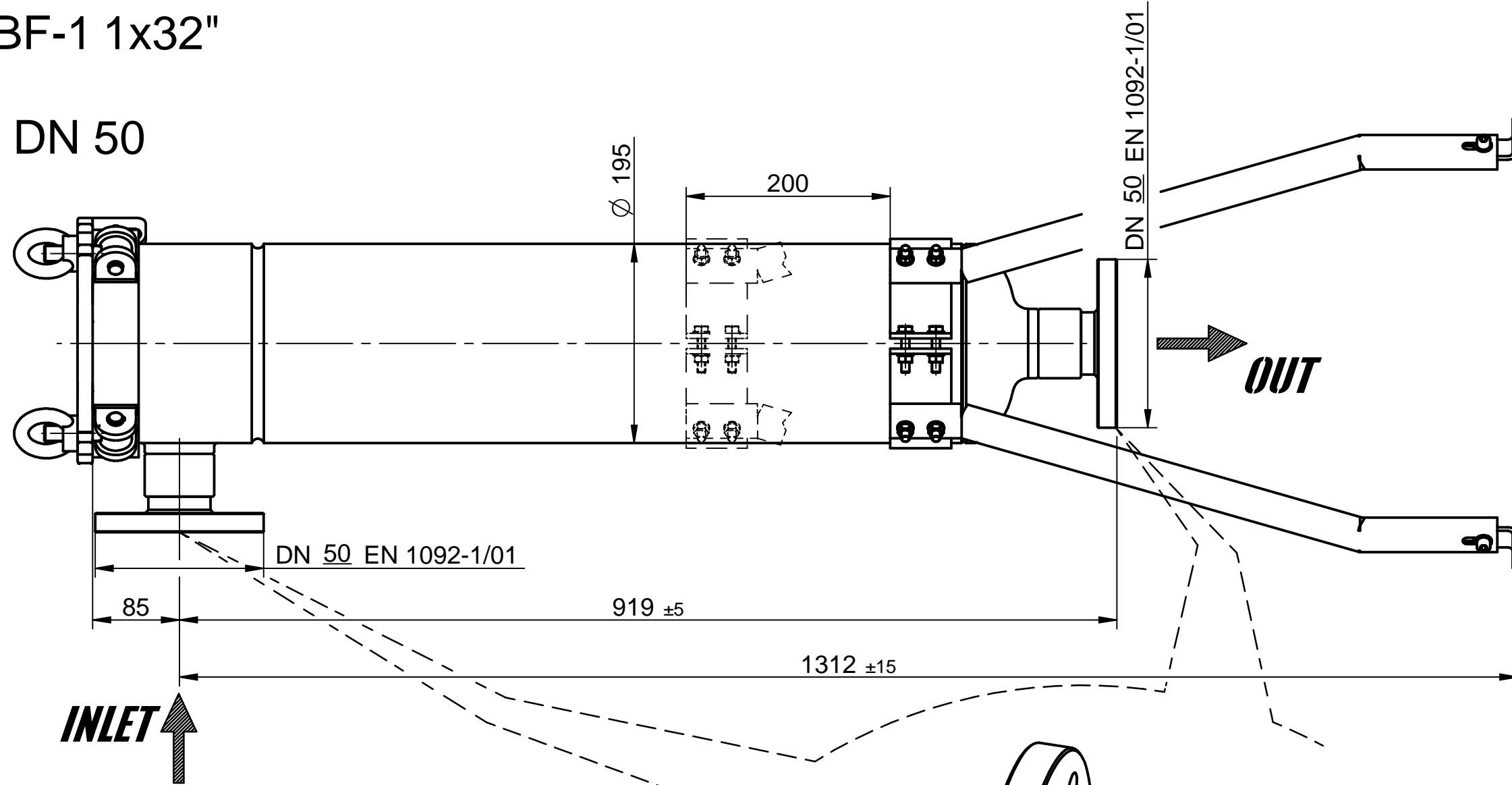
IN / OUT - DN 50




| | | | | | | | | |
|---|--|--|-----|----------|------------------------------------|--|---------------------|------------|
| POS. | CODE | DENOMINATION | | | | QUANTITY | MATERIALS | |
| ALL DIMENSIONS MILLIMETERS | ALL SURFACES FINISH ROUGHNESS IN Ra μm | GENERAL TOLLERANCES UNLESS OTHERWISE SPECIFIED UNI-EN 22768-mK UNI-EN 22768-c | | | | NOT QUOTED FILLET R=0.3 CHAMFER 0.3x45° | | |
| SIMILAR TO | CRITICAL INDEX | WORK ORDER | JOB | QUANTITY | DRAWN DATE - BY - | APPROVED DATE - BY - | | |
| DENOMINATION FILTRO FBF-1 1x17" | | | | | CODE FBF316070117200FF_I | REV. | | |
| | | | | | MODIFICATION | | DATE | BY |
| | | | | | BARCODE | | SCALE 1:5 | PROJECTION |
| REPRODUCTION IS PROHIBITED - ALL RIGHTS RESERVED ACCORDING TO THE LAW | | | | | | | | |

FILTRO FBF-1 1x32"

IN / OUT - DN 50



| | | | | | | | | |
|---|--|--|-----|----------|------------------------------------|--|----------------------|------------|
| POS. | CODE | DENOMINATION | | | | QUANTITY | MATERIALS | |
| ALL DIMENSIONS MILLIMETERS | ALL SURFACES FINISH ROUGHNESS IN Ra μm | GENERAL TOLLERANCES UNLESS OTHERWISE SPECIFIED UNI-EN 22768-mK UNI-EN 22768-c | | | | NOT QUOTED FILLET R=0.3 CHAMFER 0.3x45° | | |
| SIMILAR TO | CRITICAL INDEX | WORK ORDER | JOB | QUANTITY | DRAWN DATE - BY | APPROVED DATE - BY - | | |
| DENOMINATION FILTRO FBF-1 1x32" | | | | | CODE FBF316070132200FF_I | REV. | | |
|  | | | | | MODIFICATION | | DATE | BY |
| | | | | | BARCODE | | SCALE 1:10 | PROJECTION |
| REPRODUCTION IS PROHIBITED - ALL RIGHTS RESERVED ACCORDING TO THE LAW | | | | | | | | |